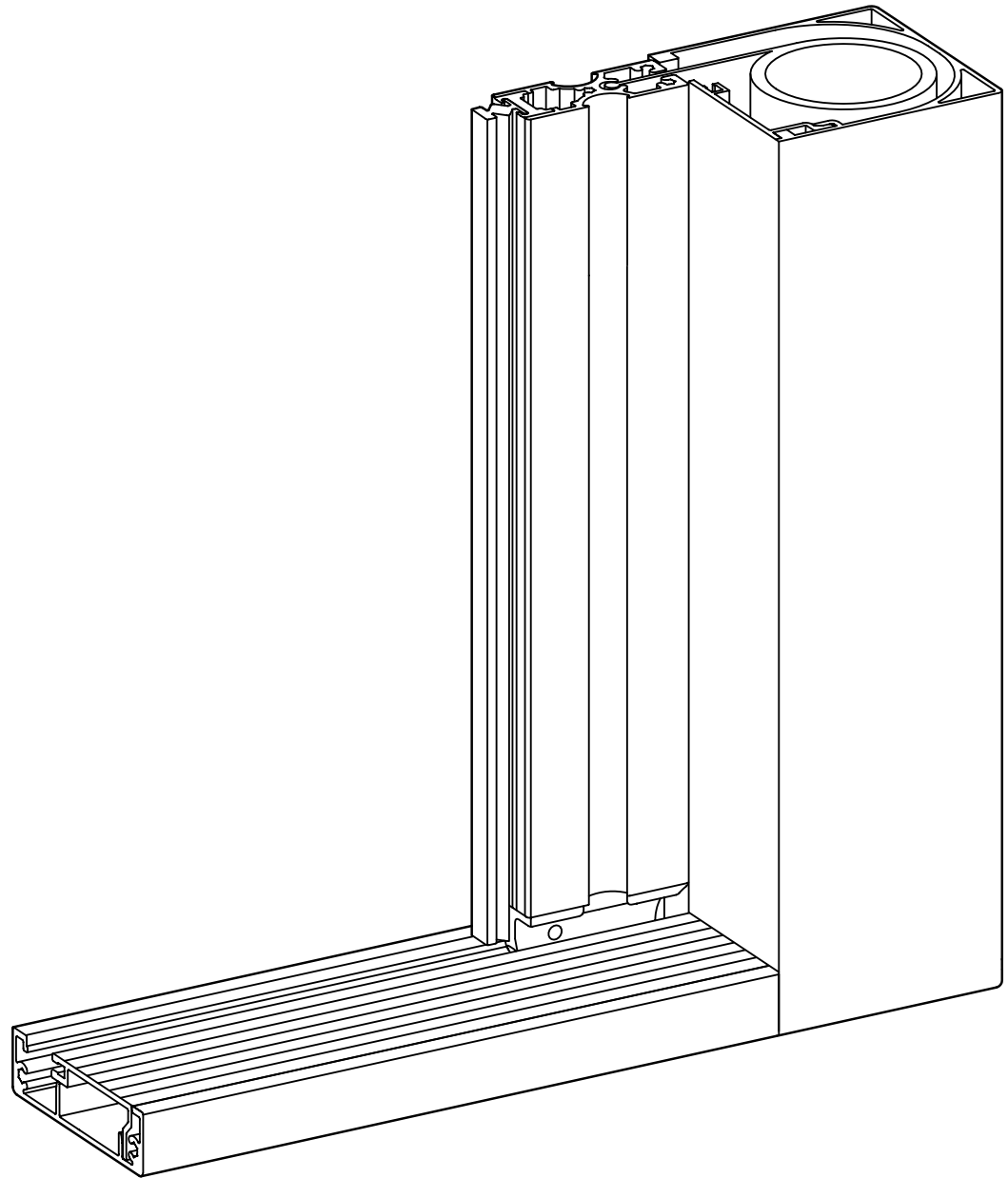


# S2

P1 Single screen

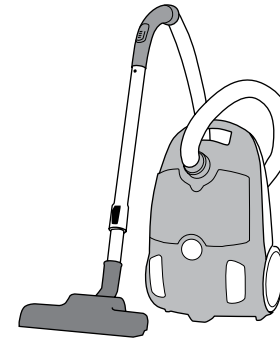
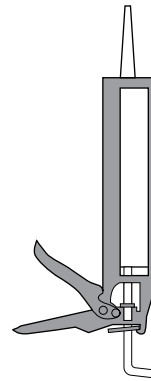
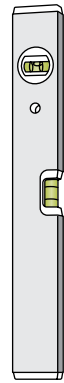
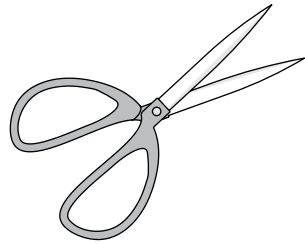


Installation instructions

centor®

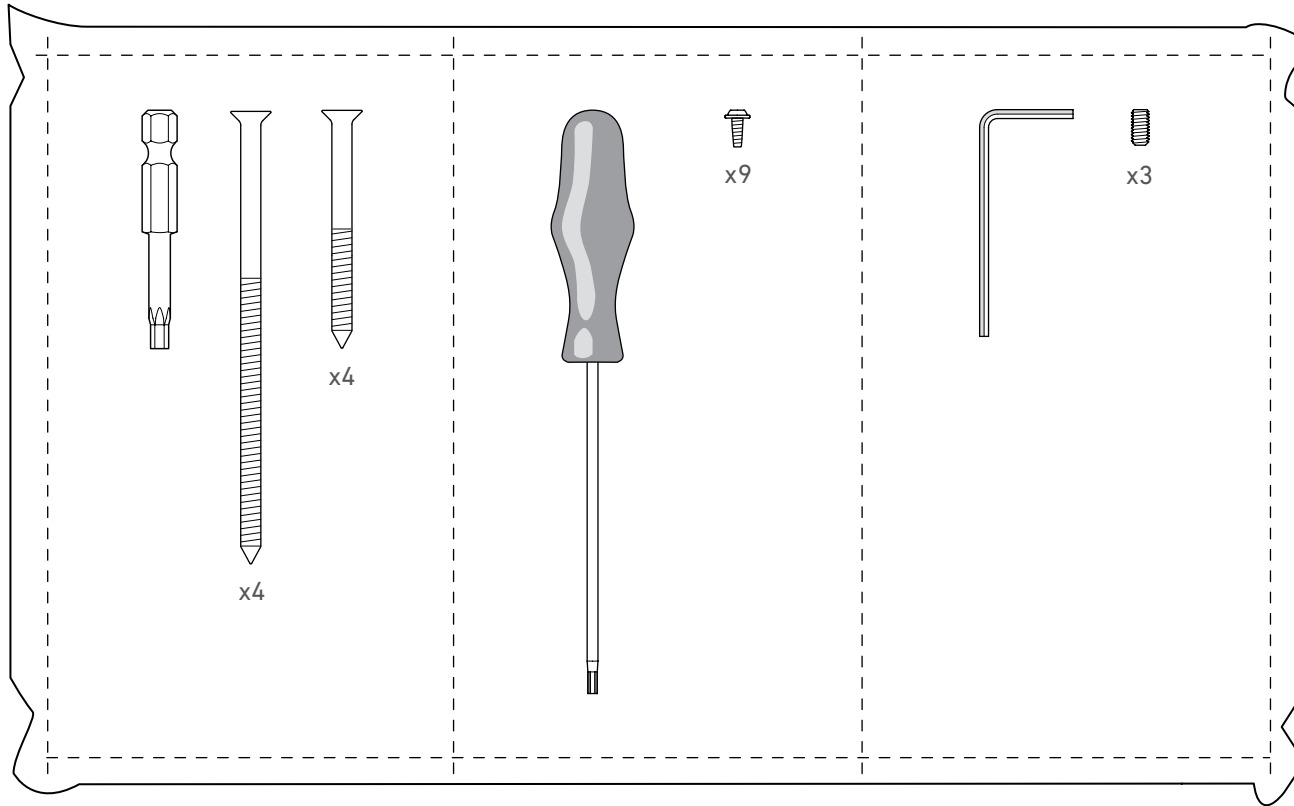


# Tools required

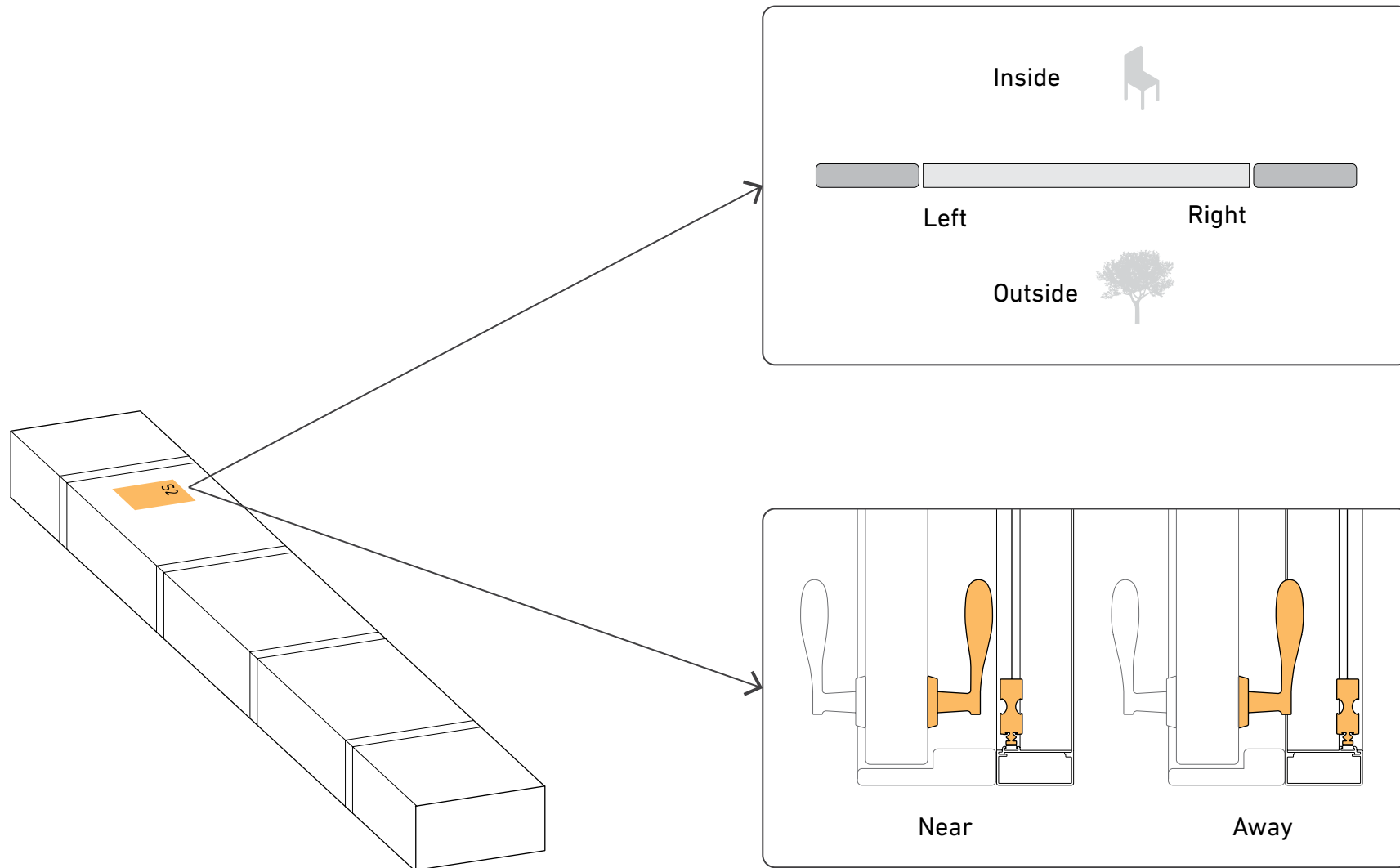


Torx T20

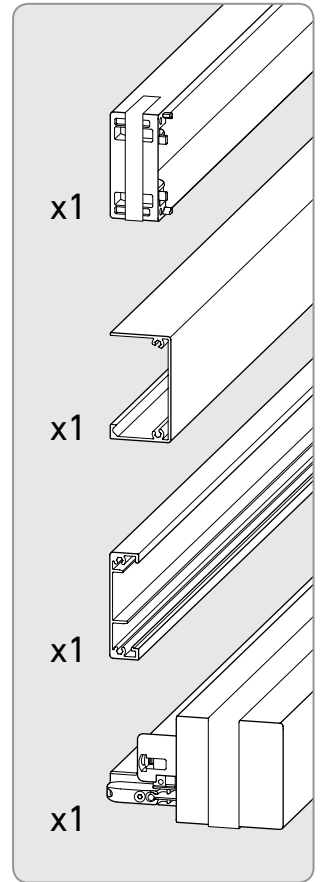
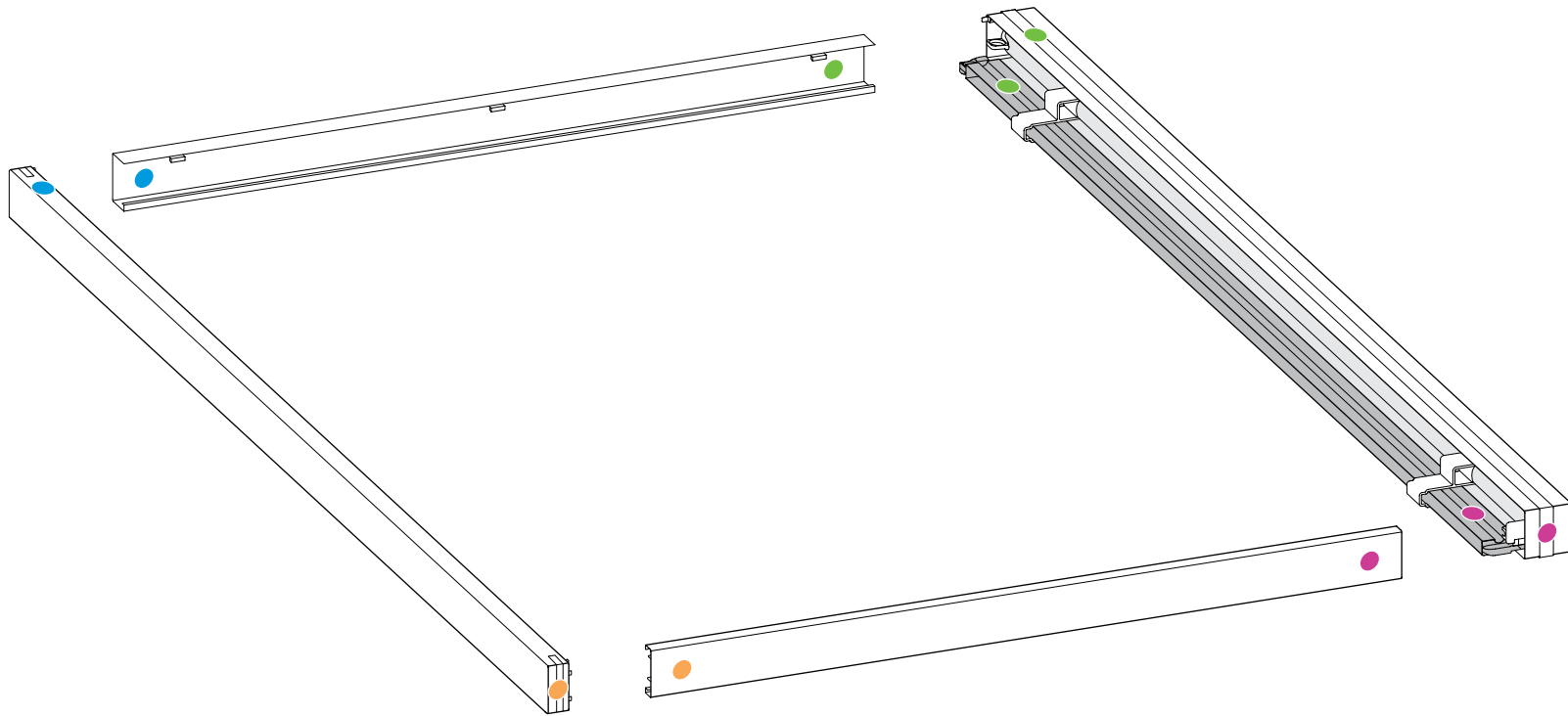
# Installer pack – supplied



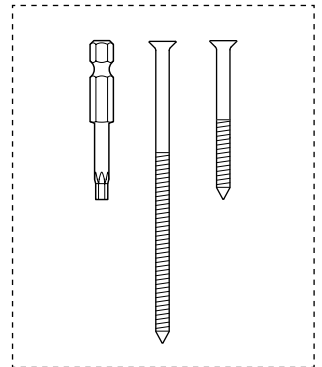
# 1.0 Check delivery



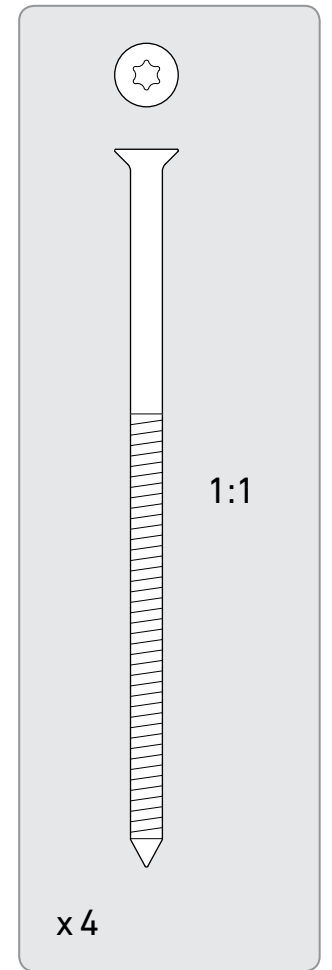
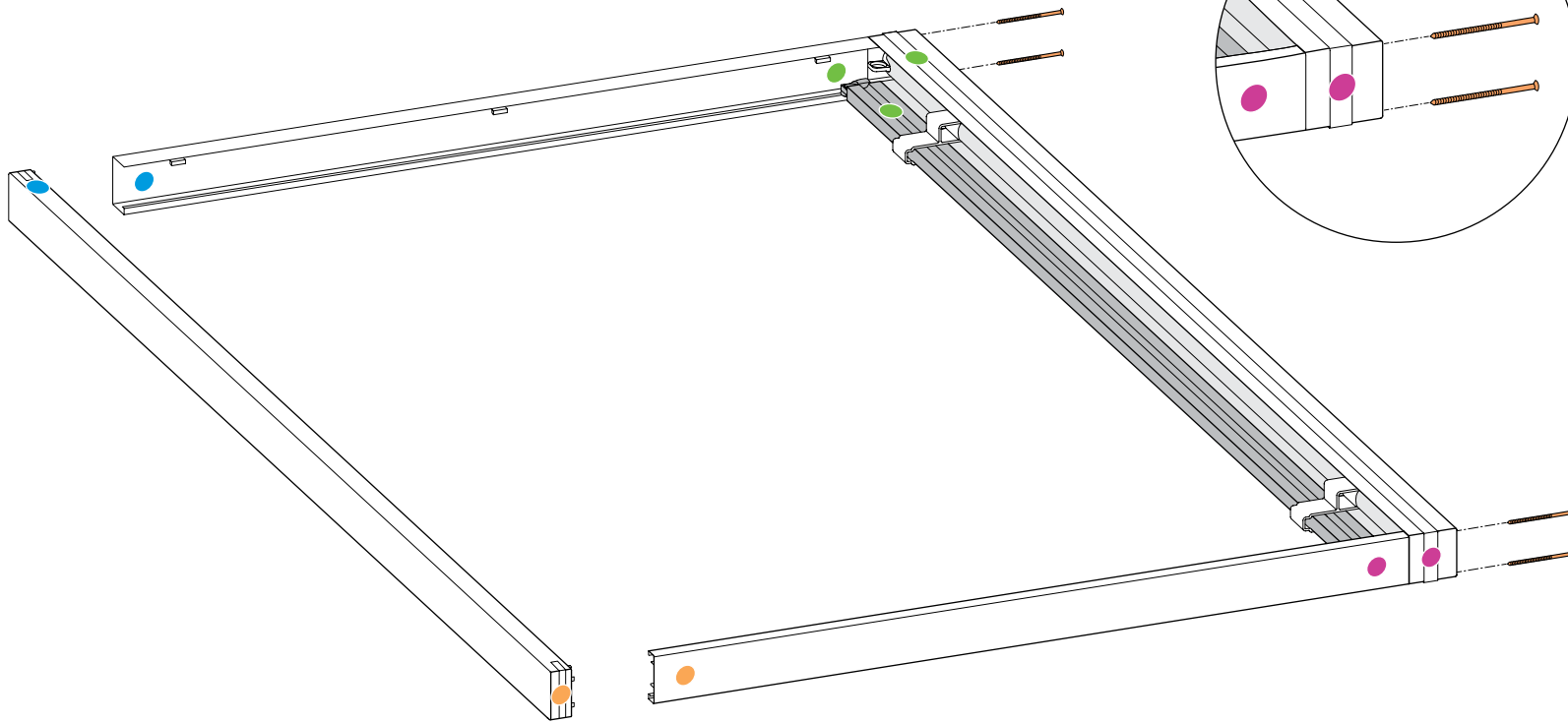
## 2.0 Assemble frame



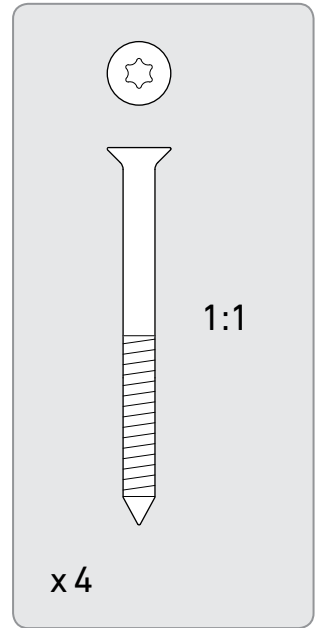
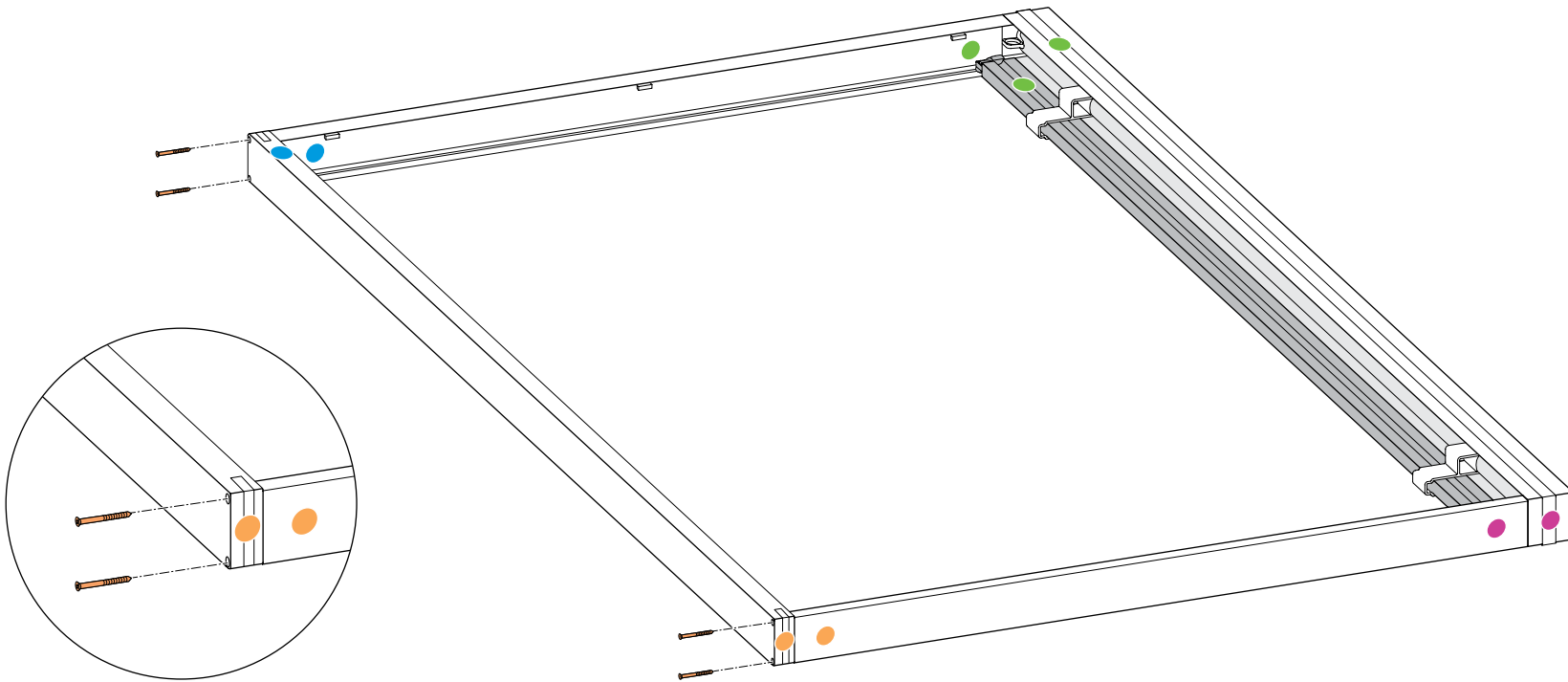
+



2.1

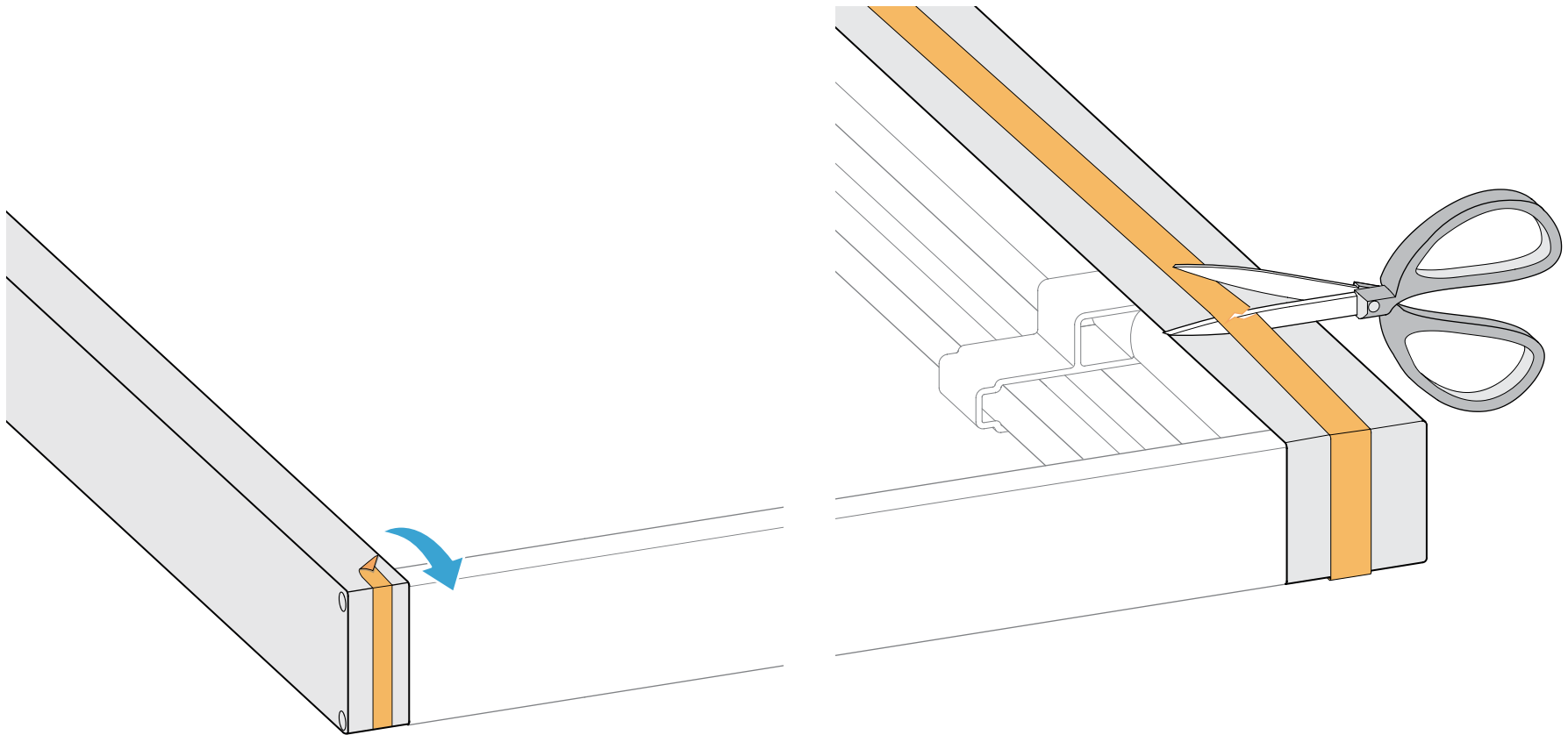


2.2

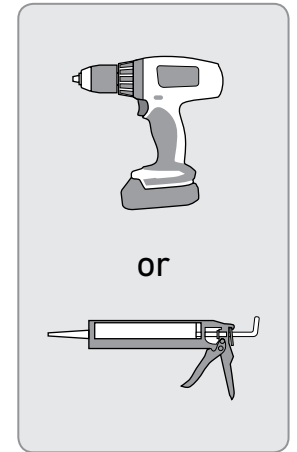
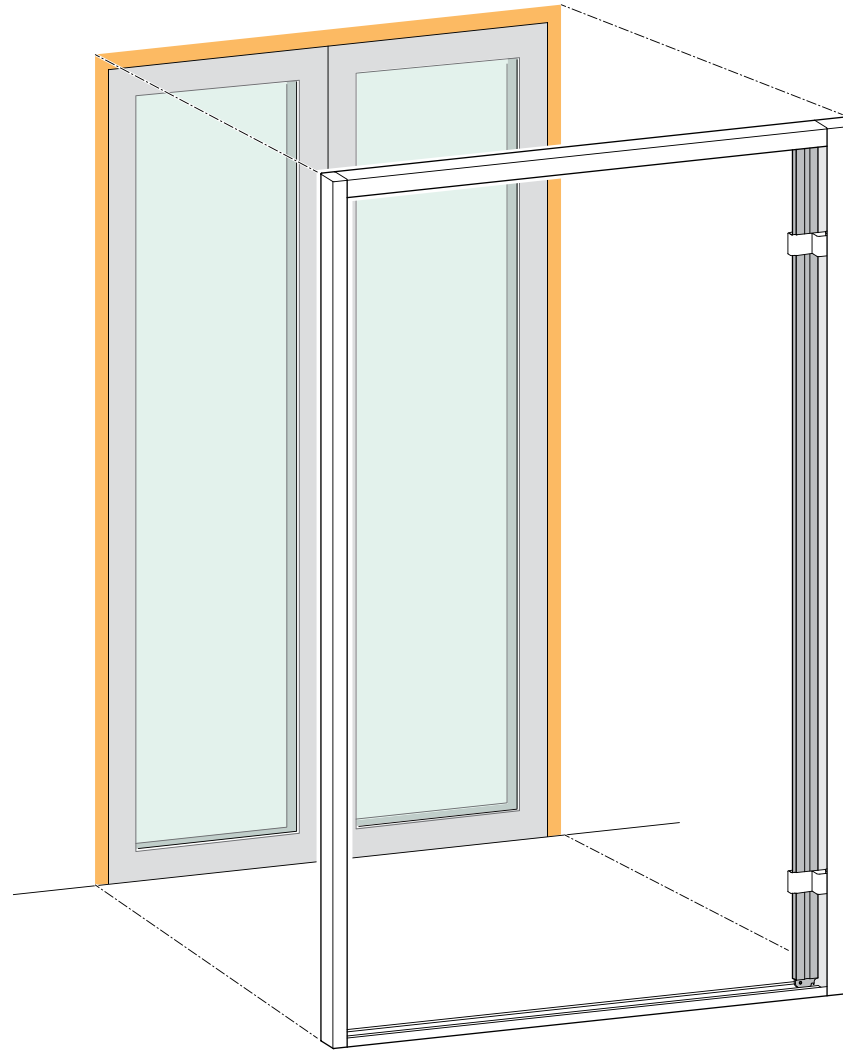
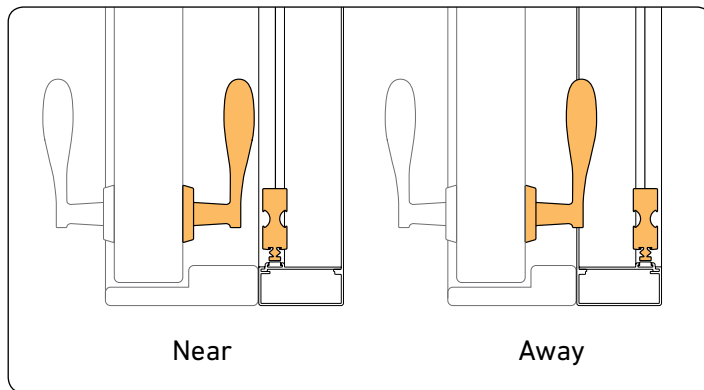
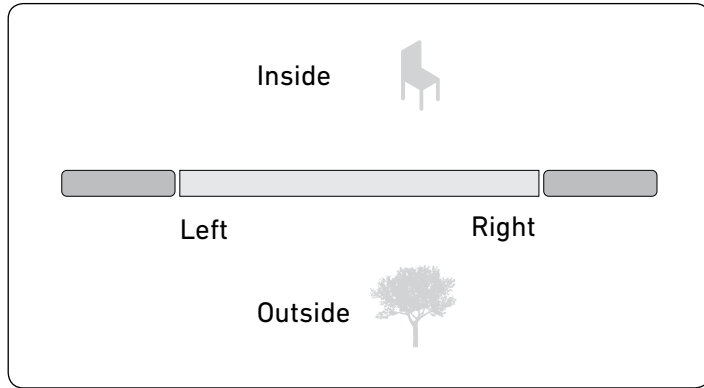




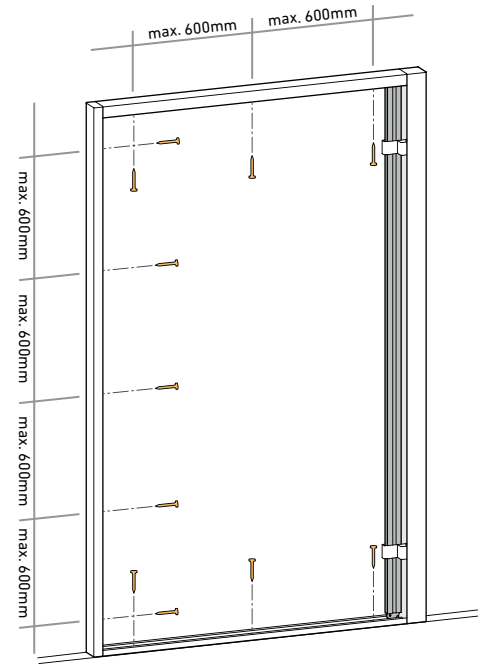
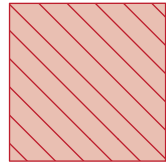
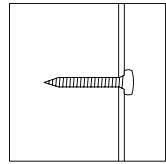
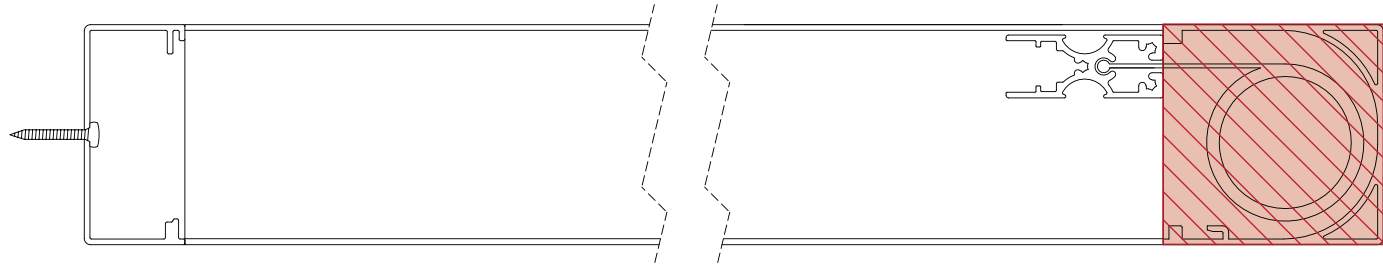
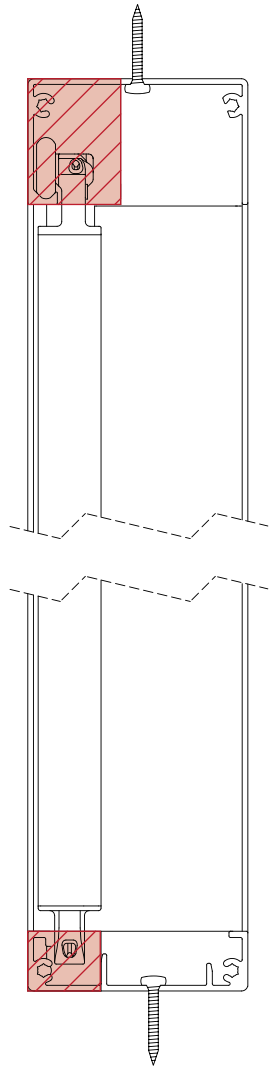
## 2.3



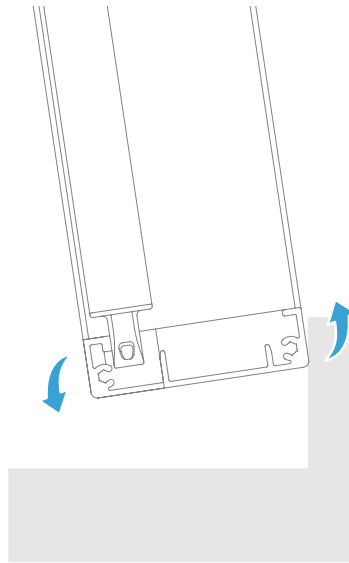
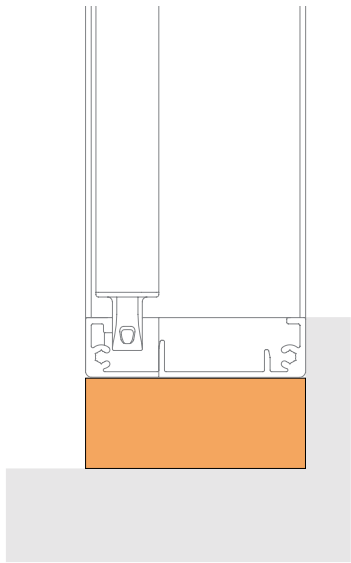
### 3.0 Fix frame to opening



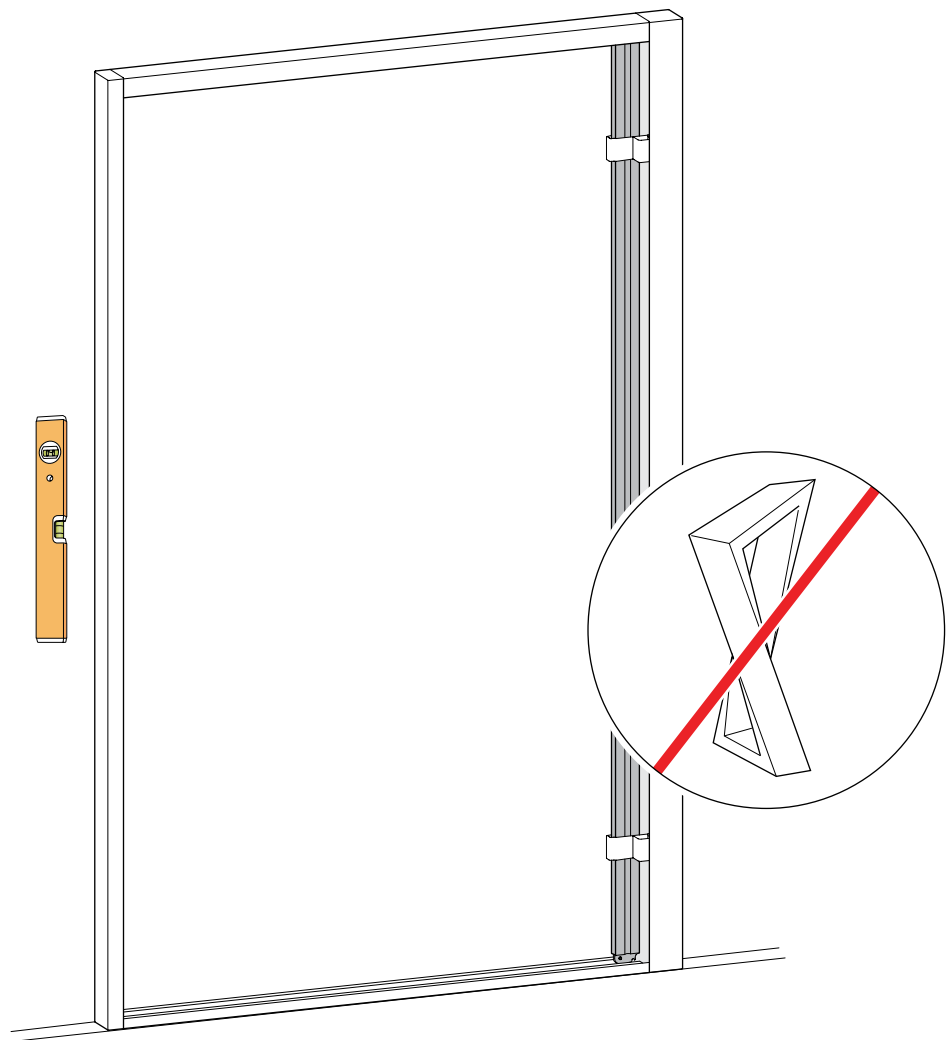
# 3.1



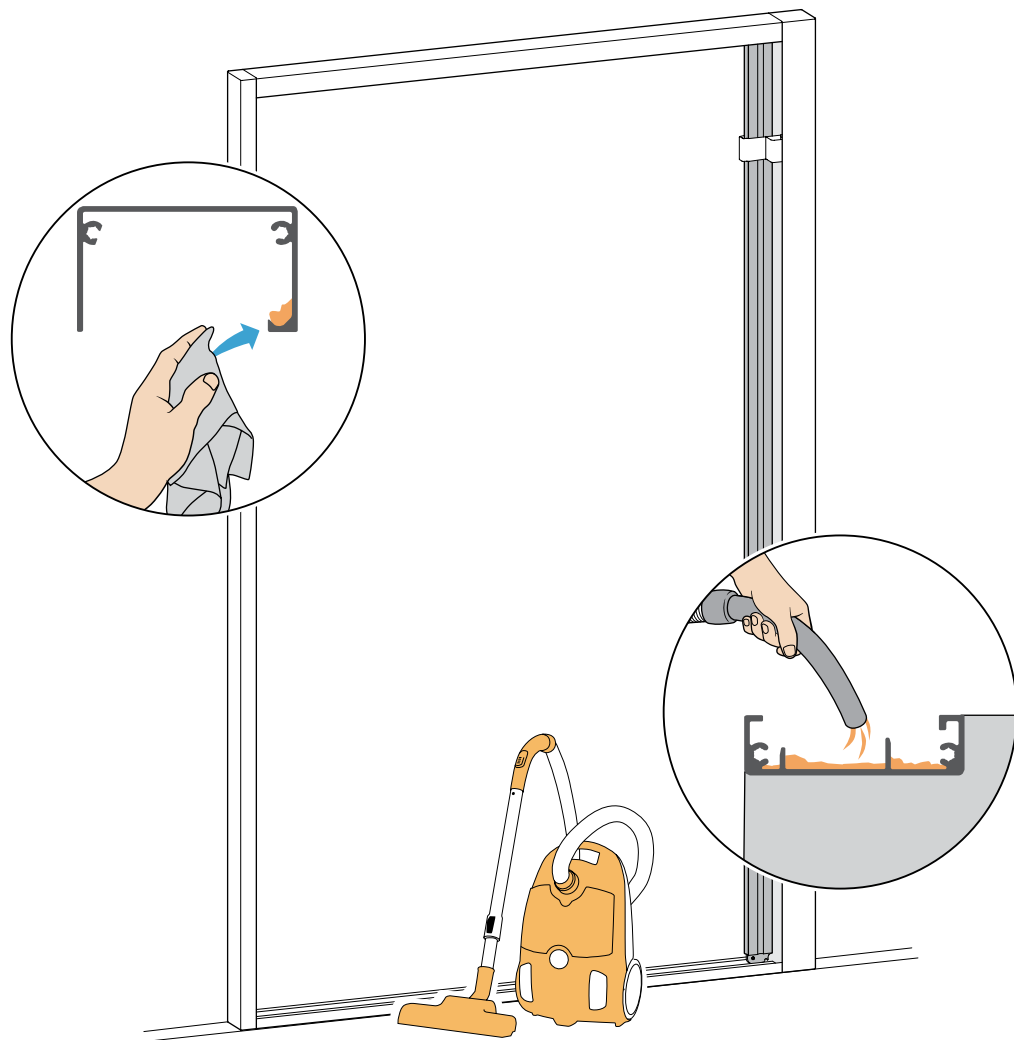
## 3.2



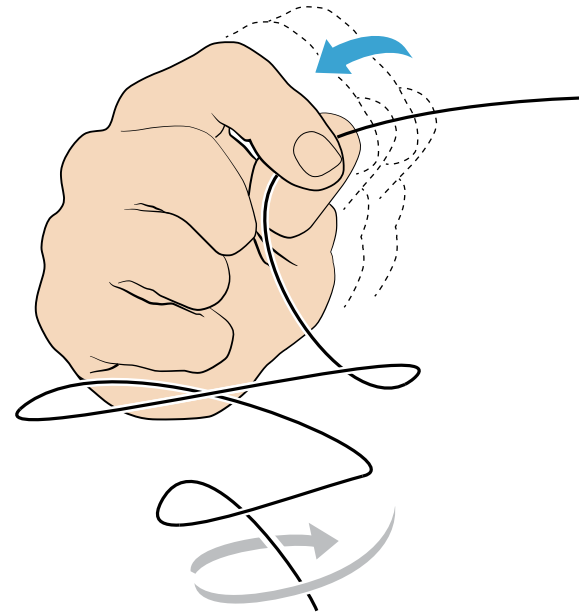
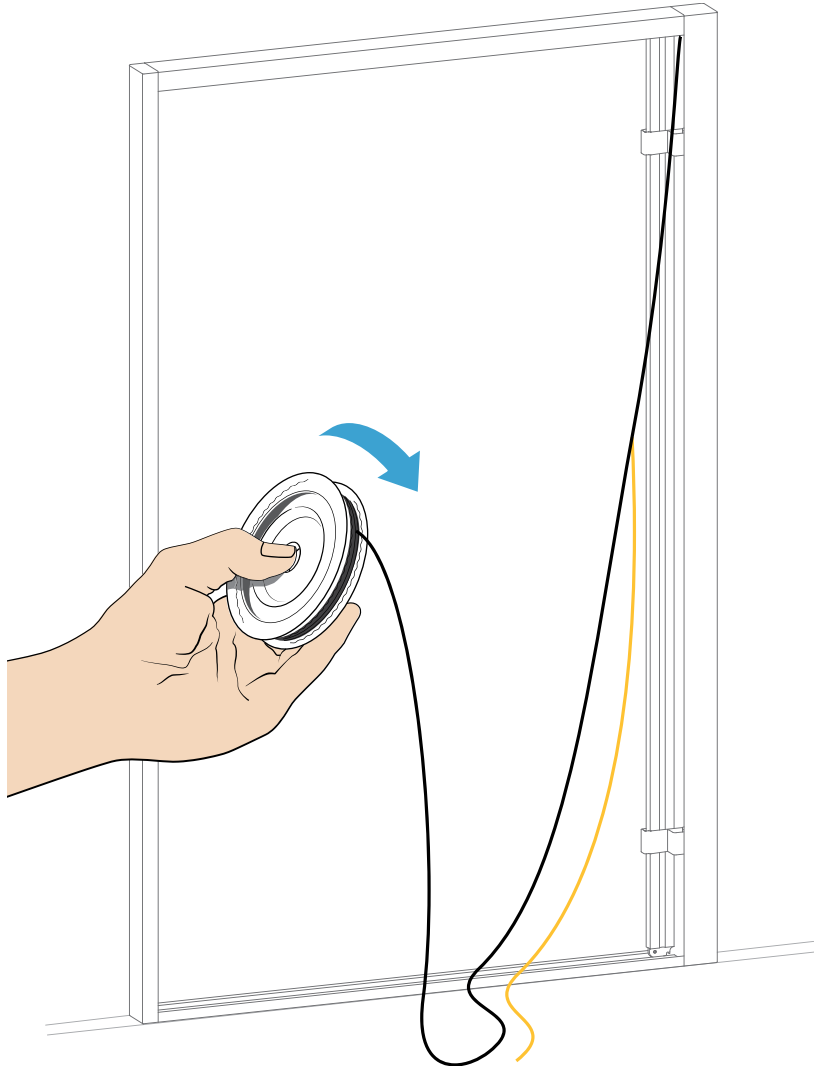
### 3.3



3.4

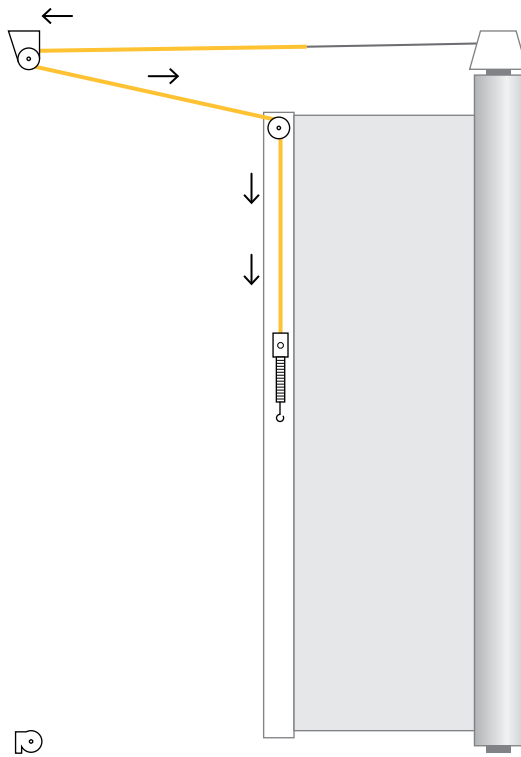


## 4.0 Cable screen

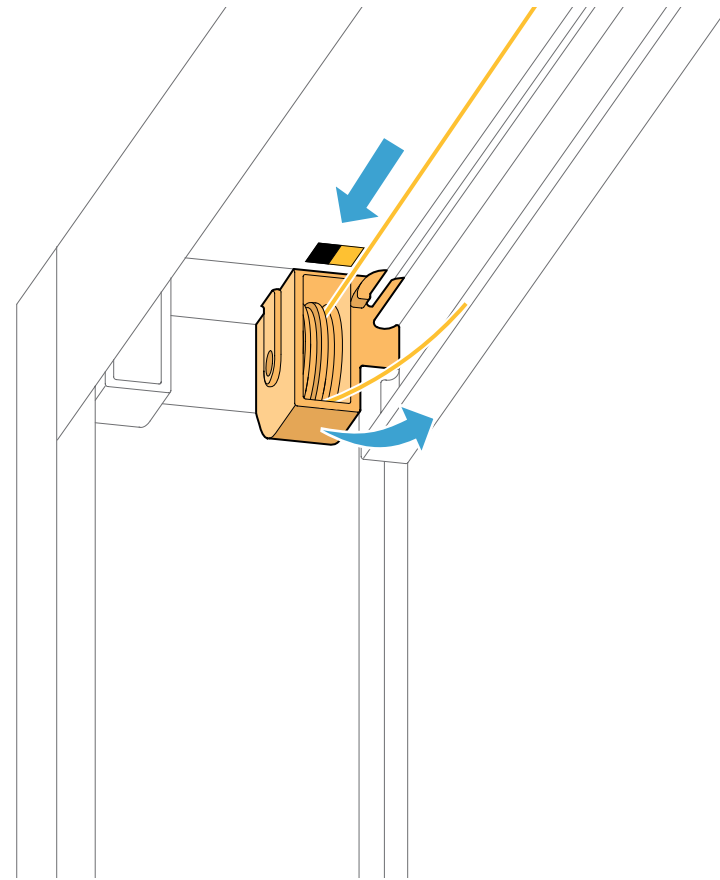


# 4.1

Top cable map

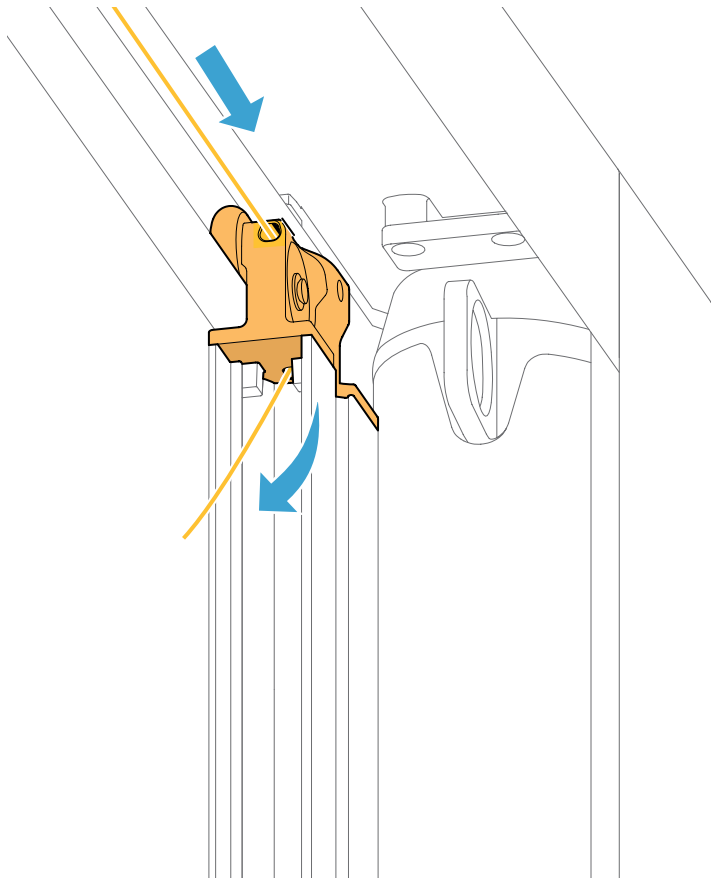


A.

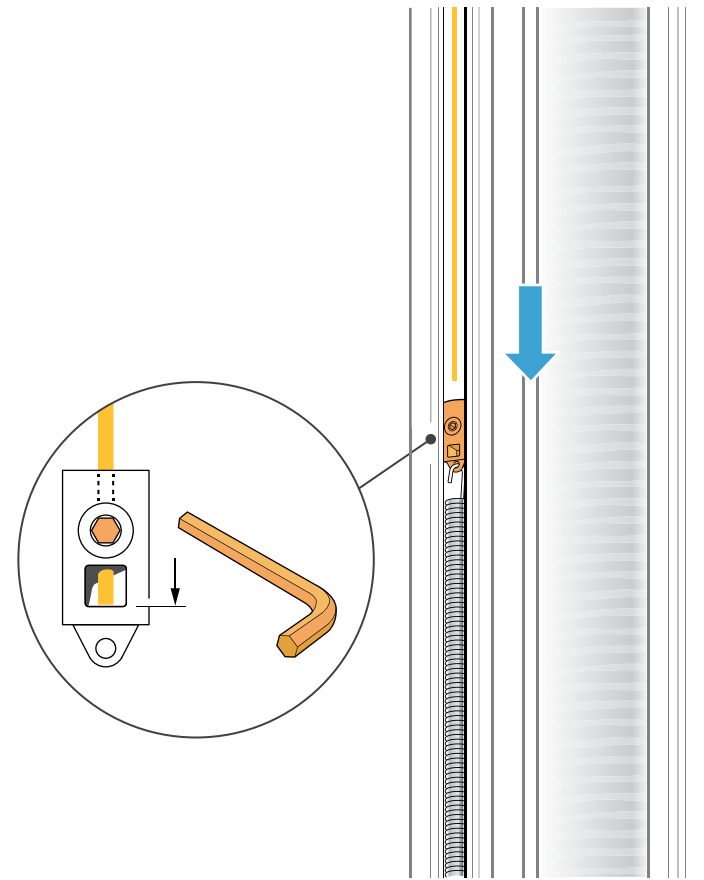




B.

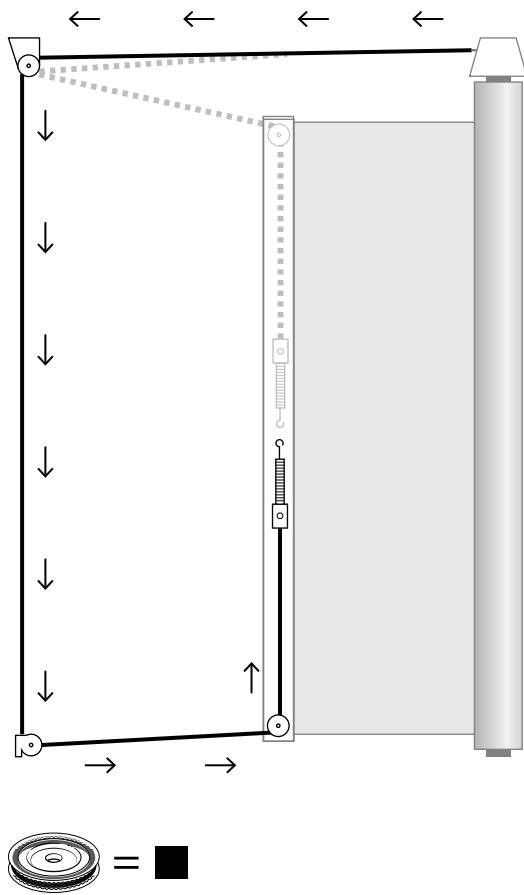


C.

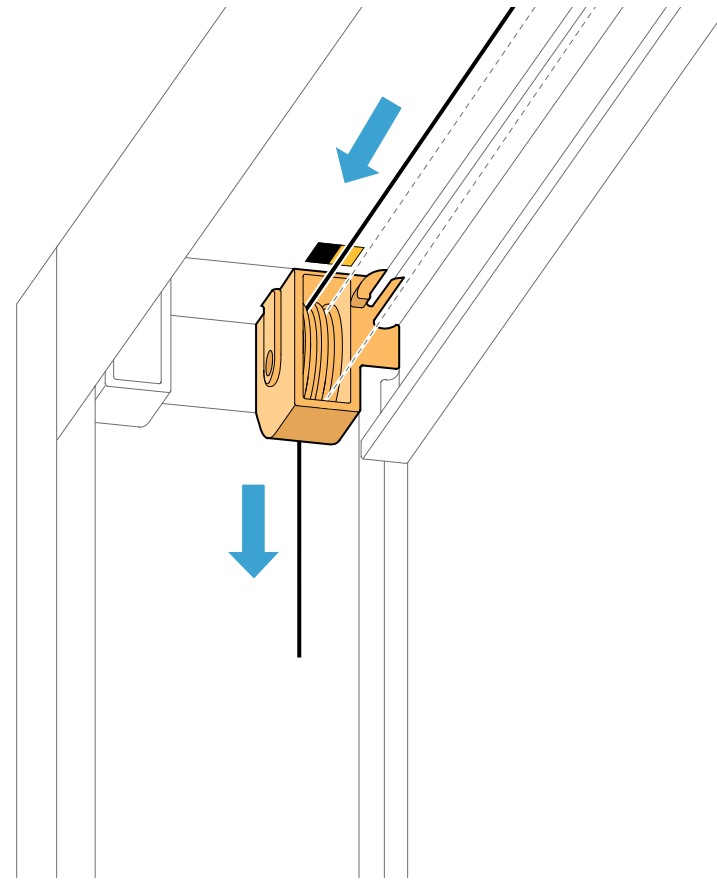


# 4.2

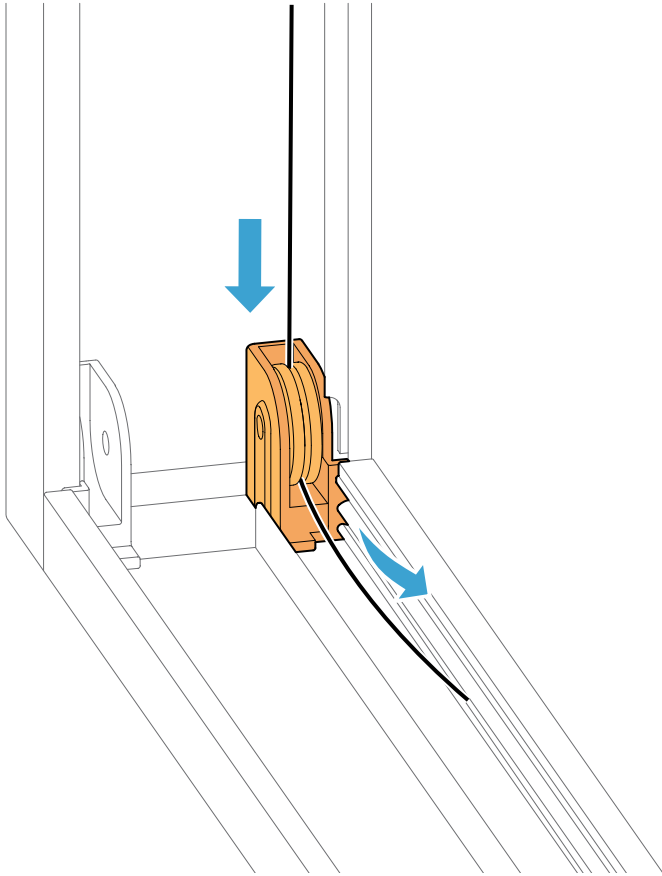
Bottom cable map



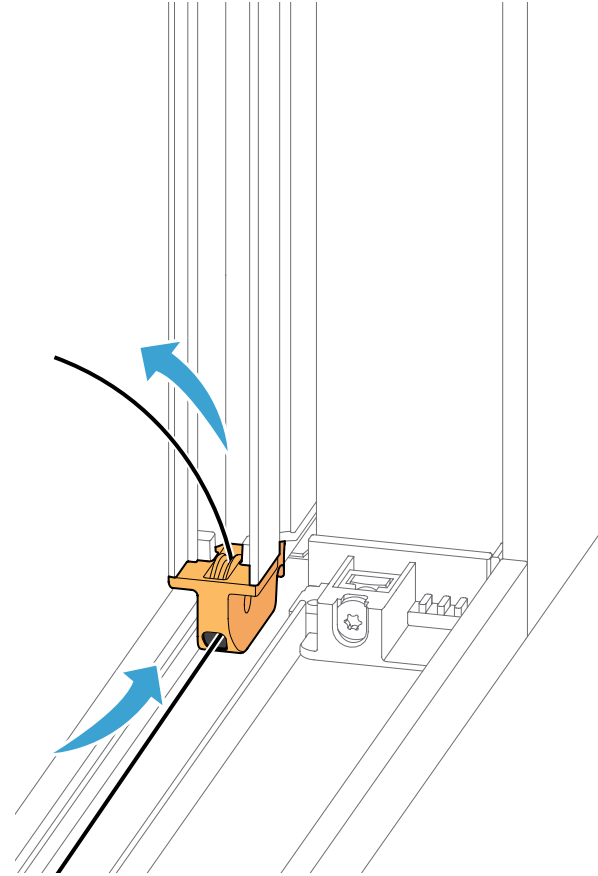
A.



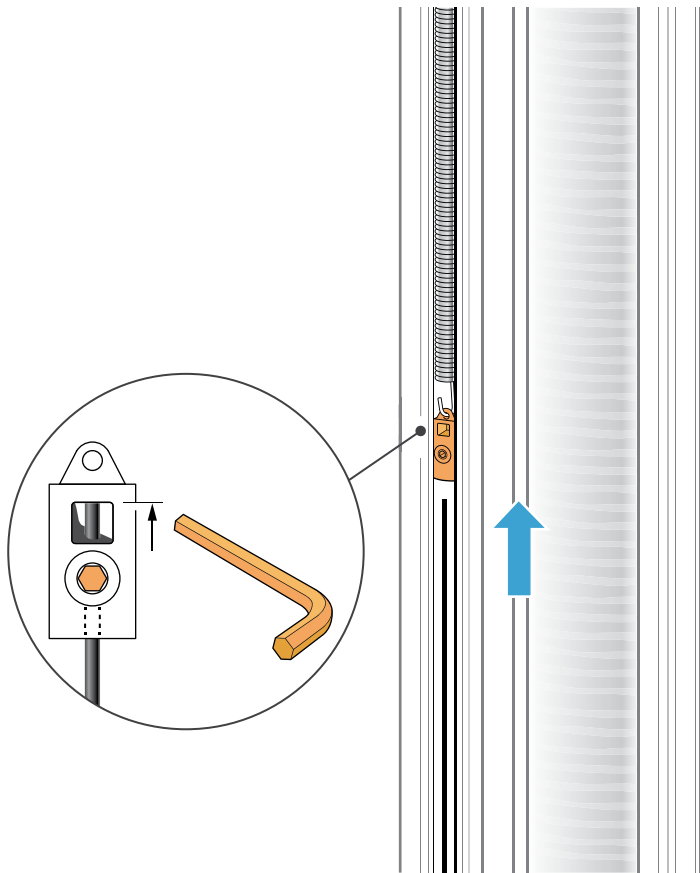
B.



C.

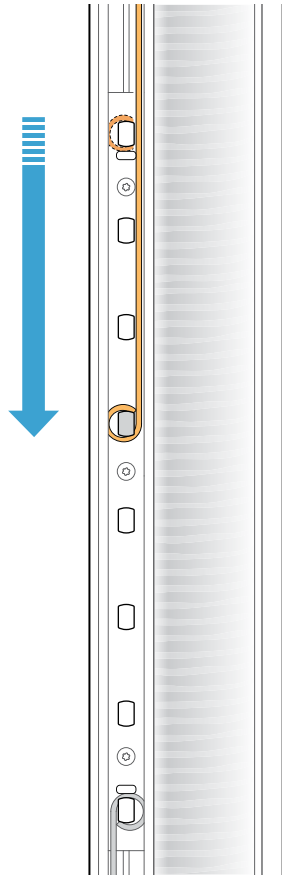


D.

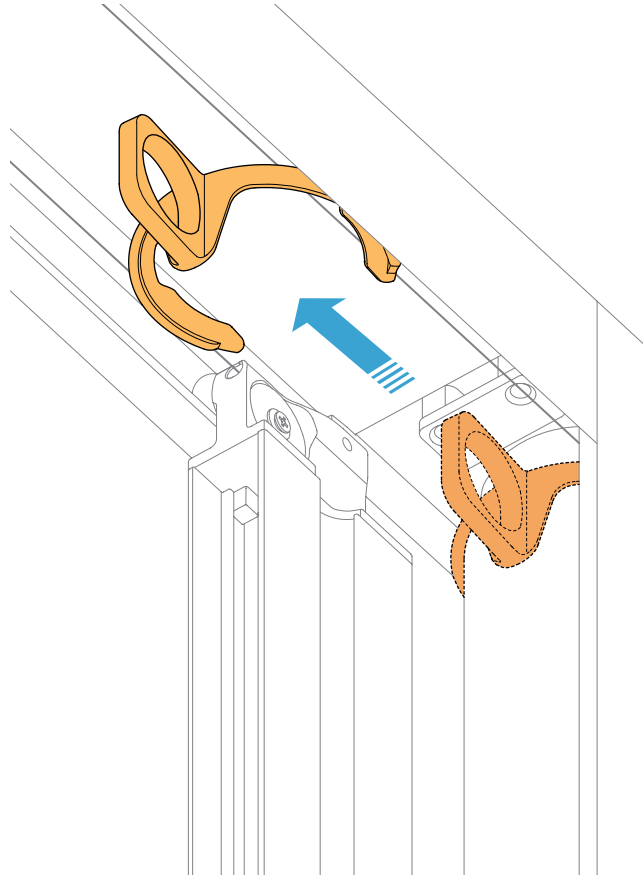


## 5.0 Tension

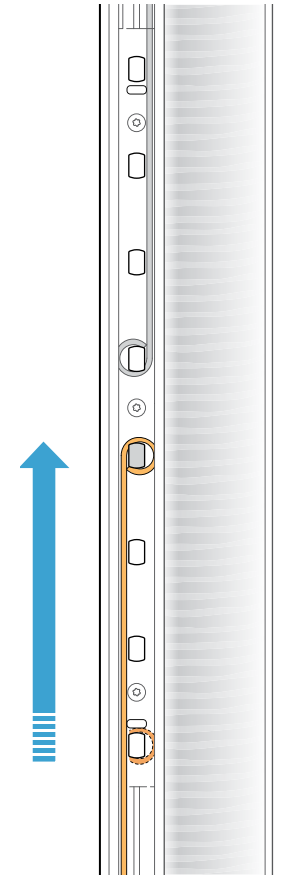
A.



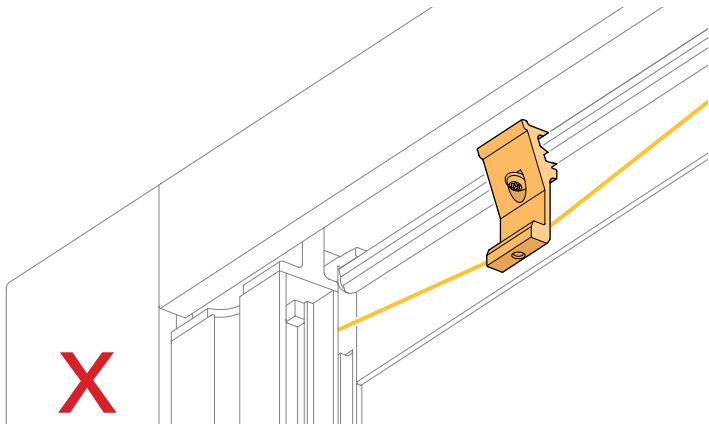
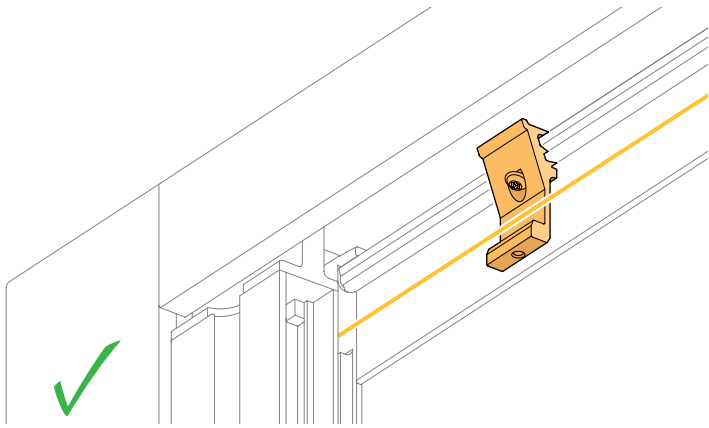
B.



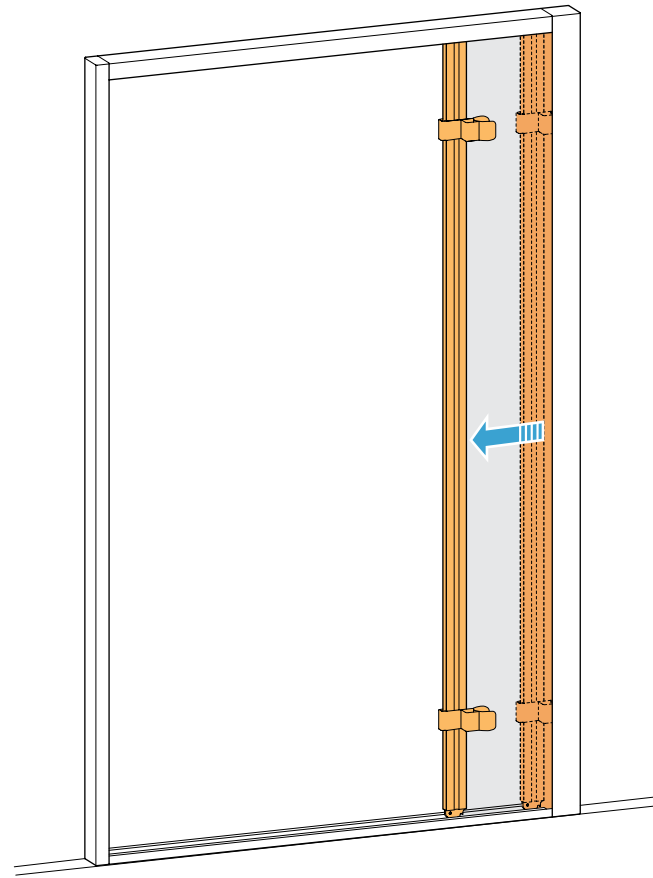
C.



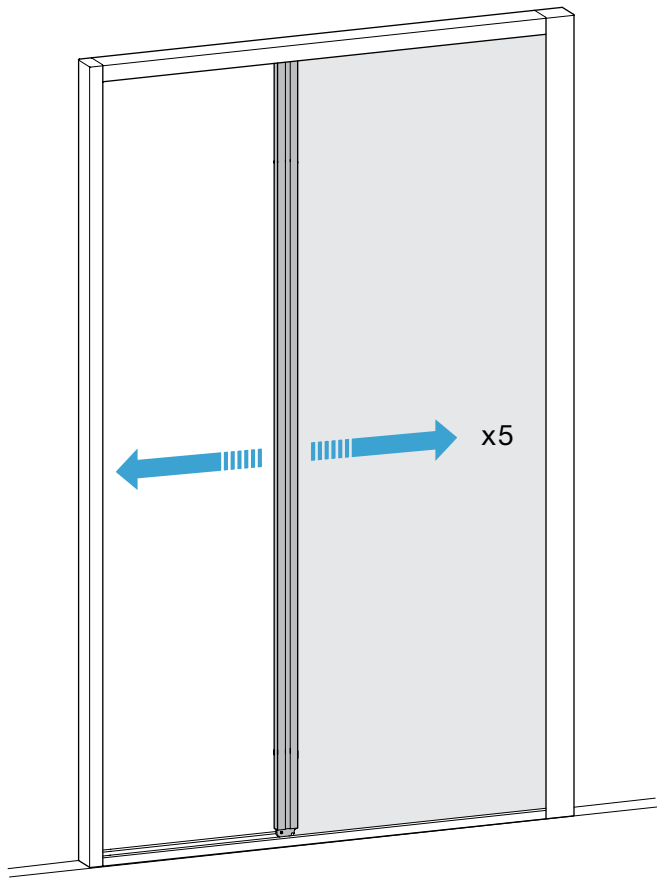
D.



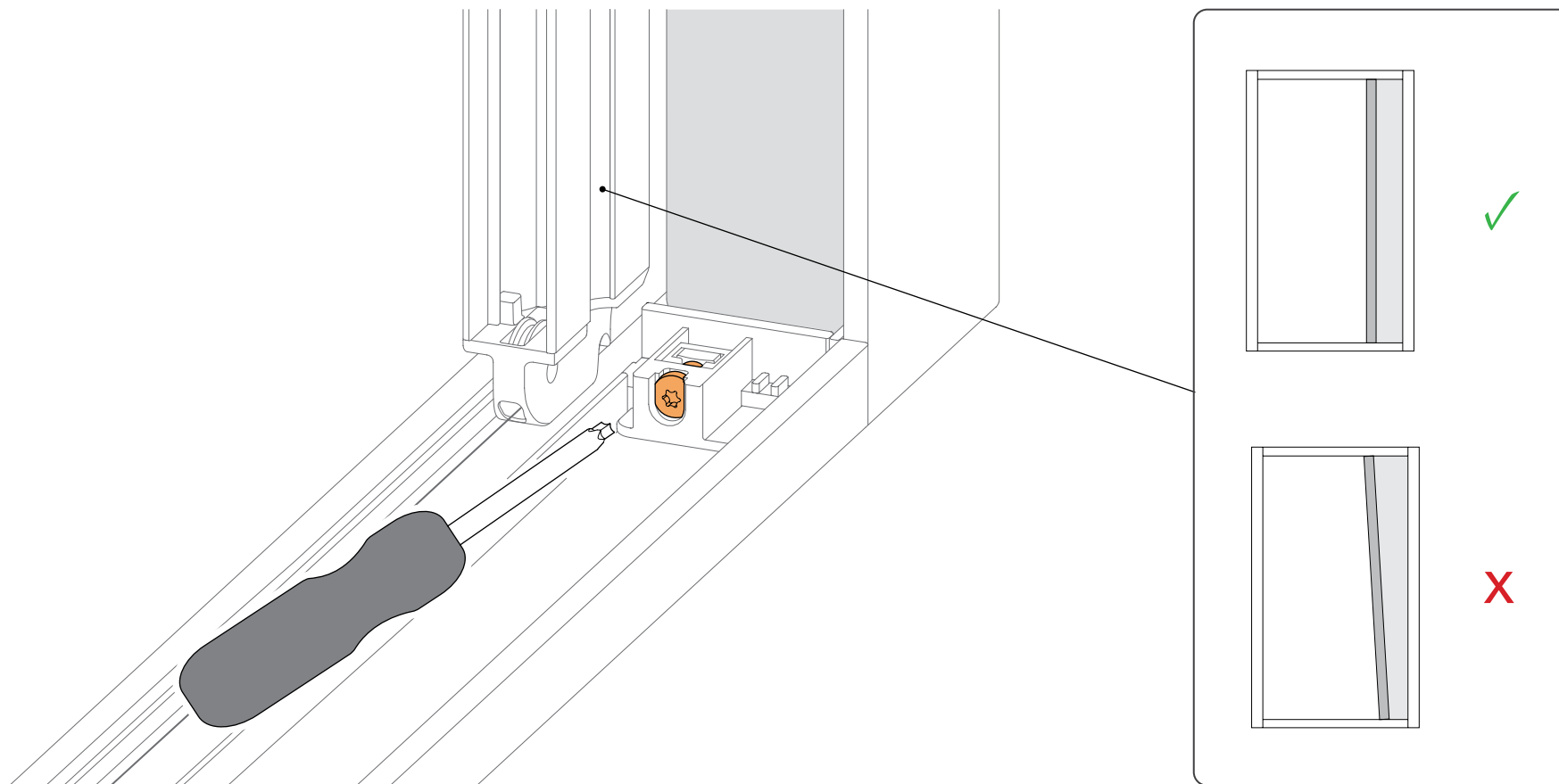
E.



F.

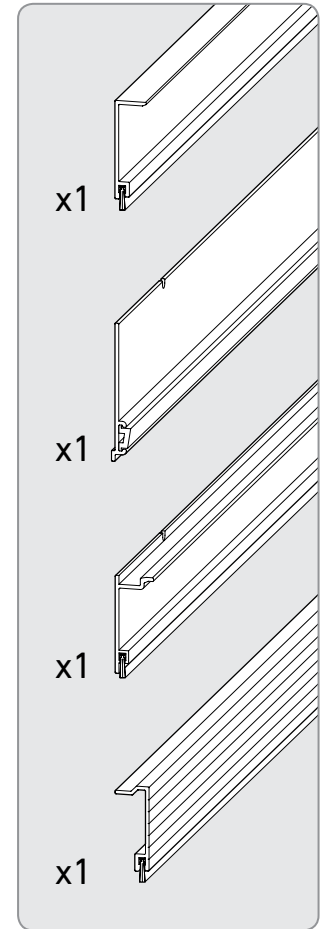
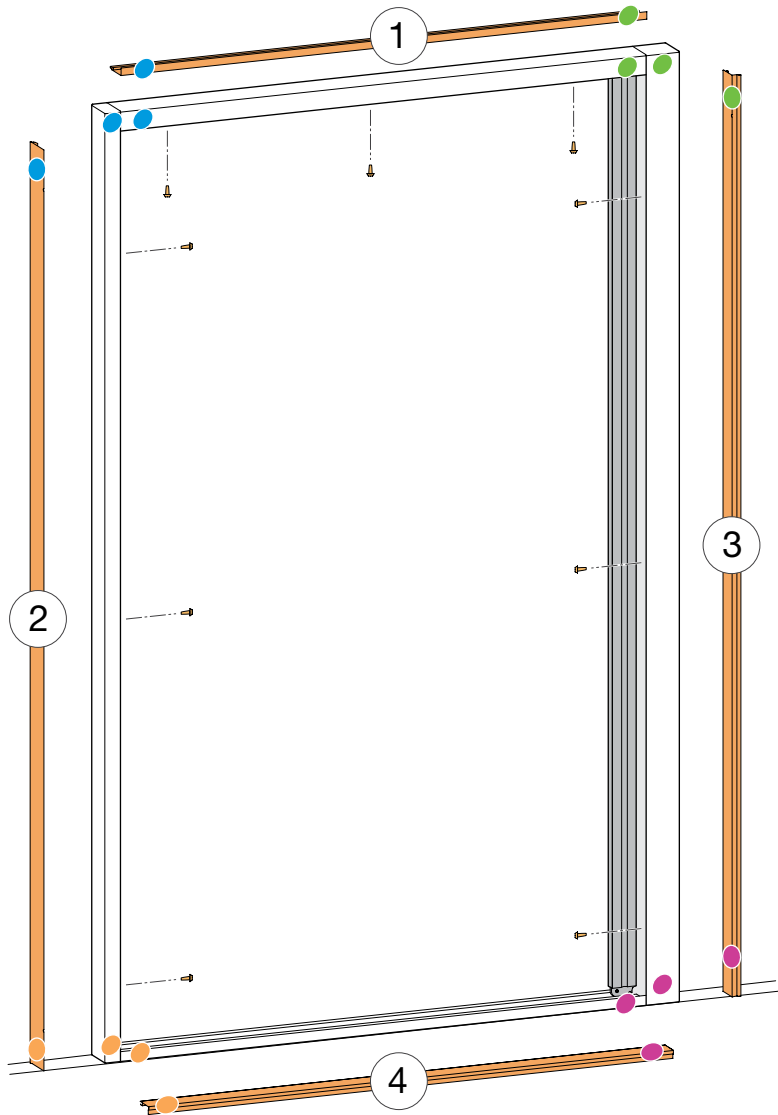


## 6.0 Adjust if required

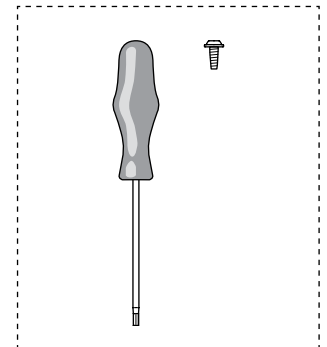




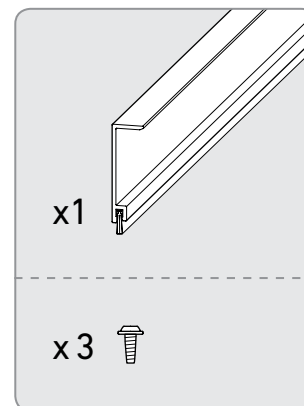
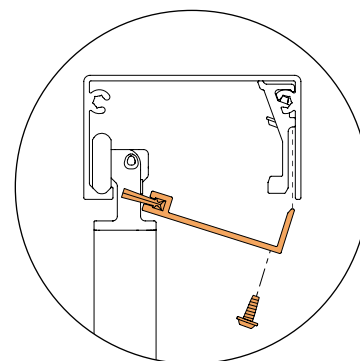
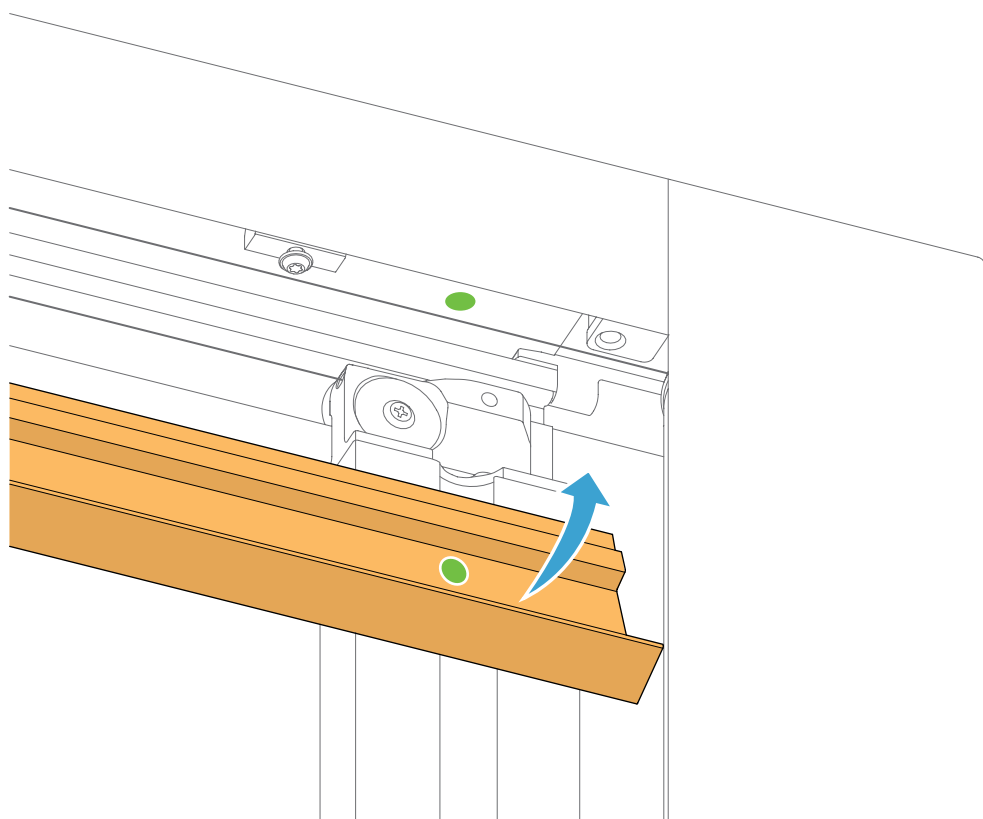
## 7.0 Install covers



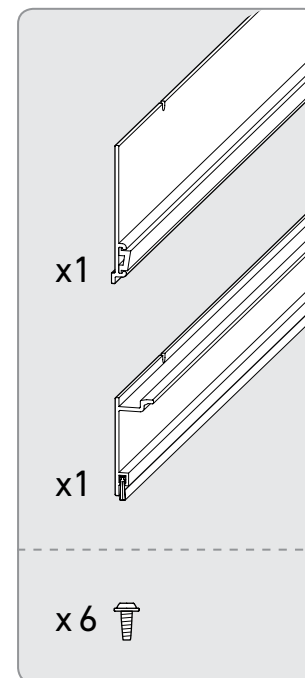
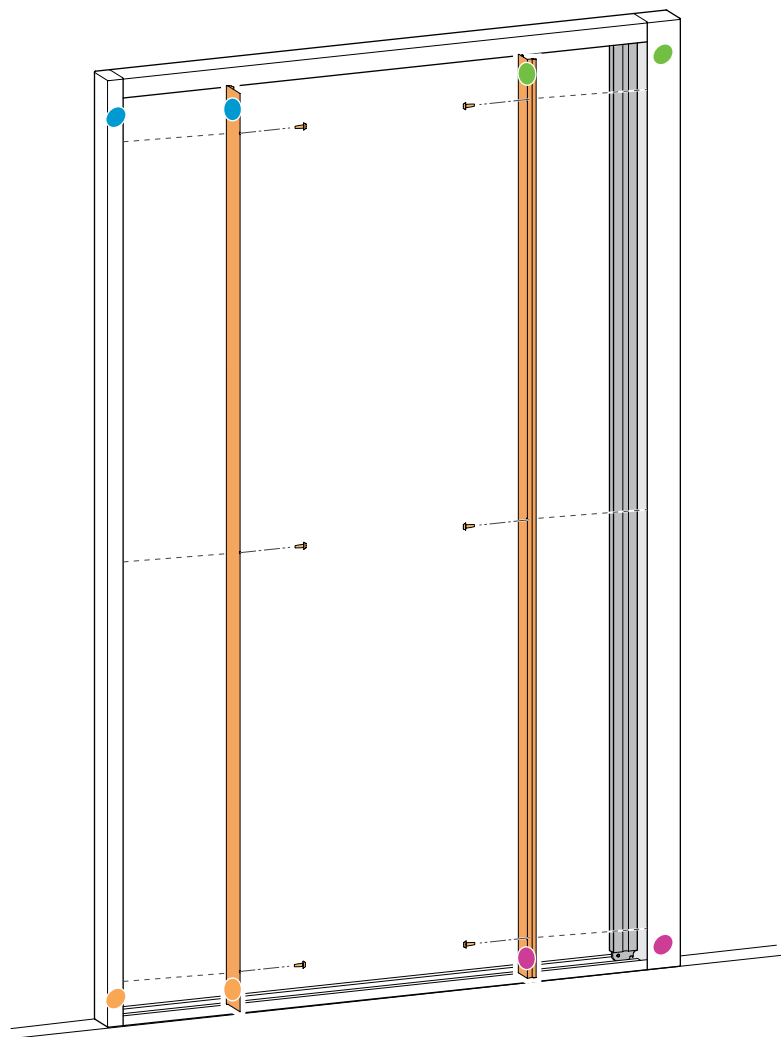
+



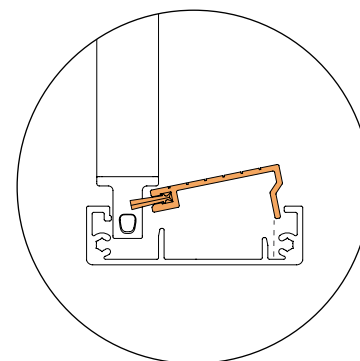
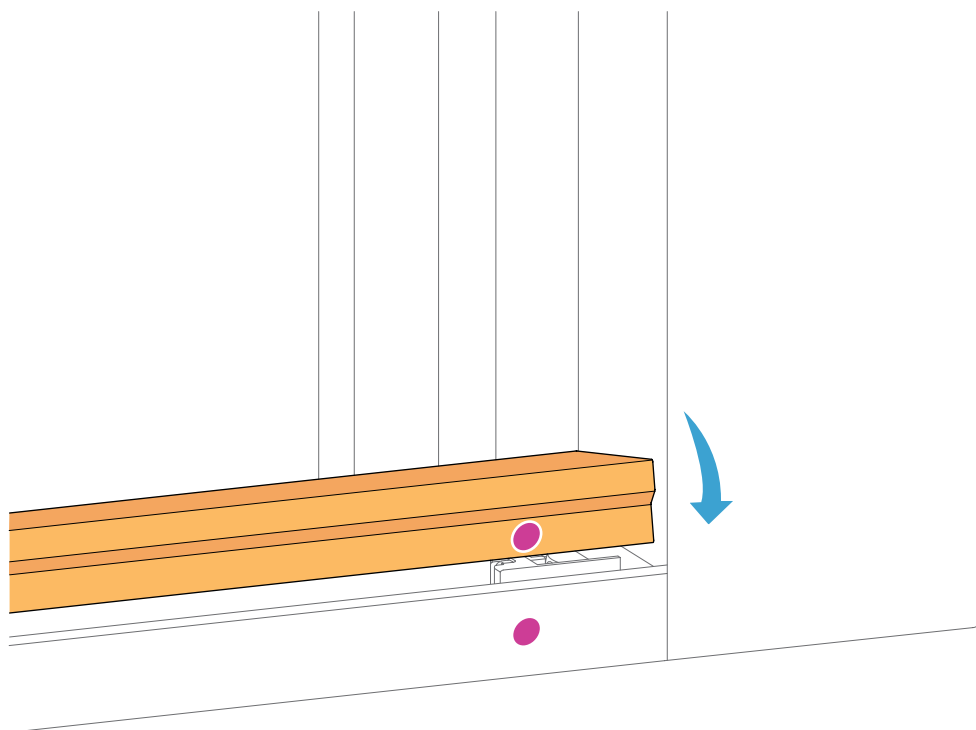
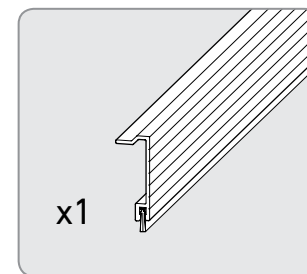
# 7.1



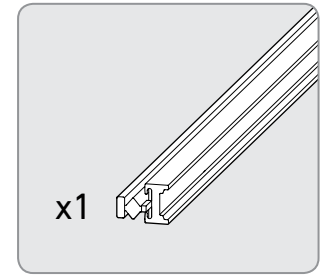
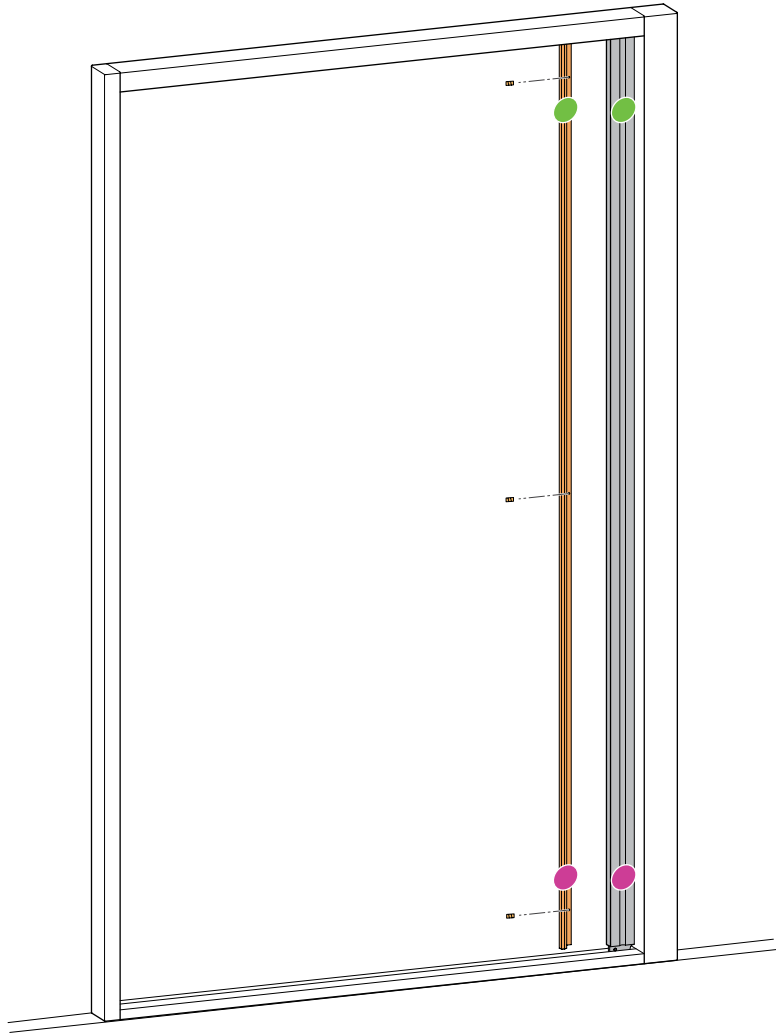
7.2



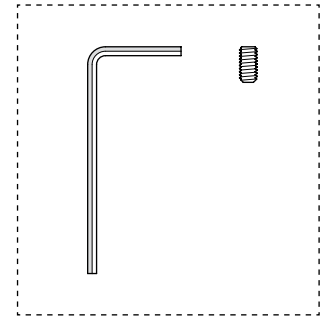
# 7.3



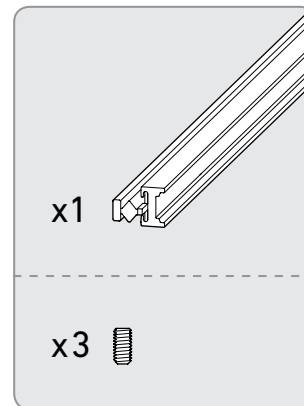
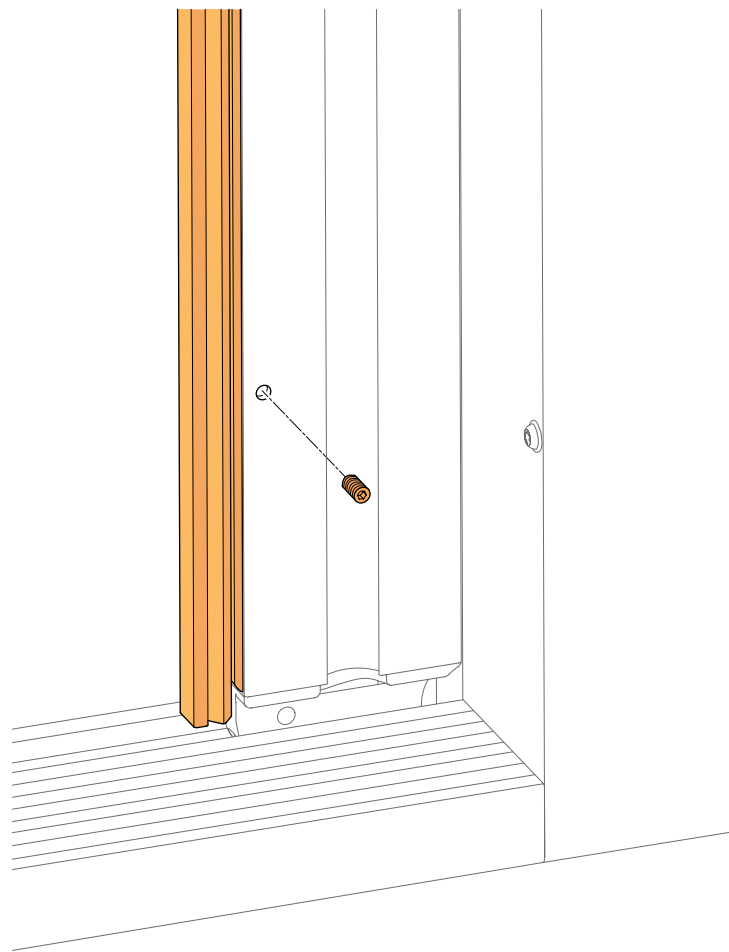
## 8.0 Install screen stile cover



+



# 8.1





Centor Australia  
+61 7 3868 5777  
mail.au@centor.com

Centor Europe  
+44 (0) 121 701 2500  
mail.uk@centor.com

Centor North America  
+1 630-957-1000  
mail.us@centor.com

centorhardware.com

centor®